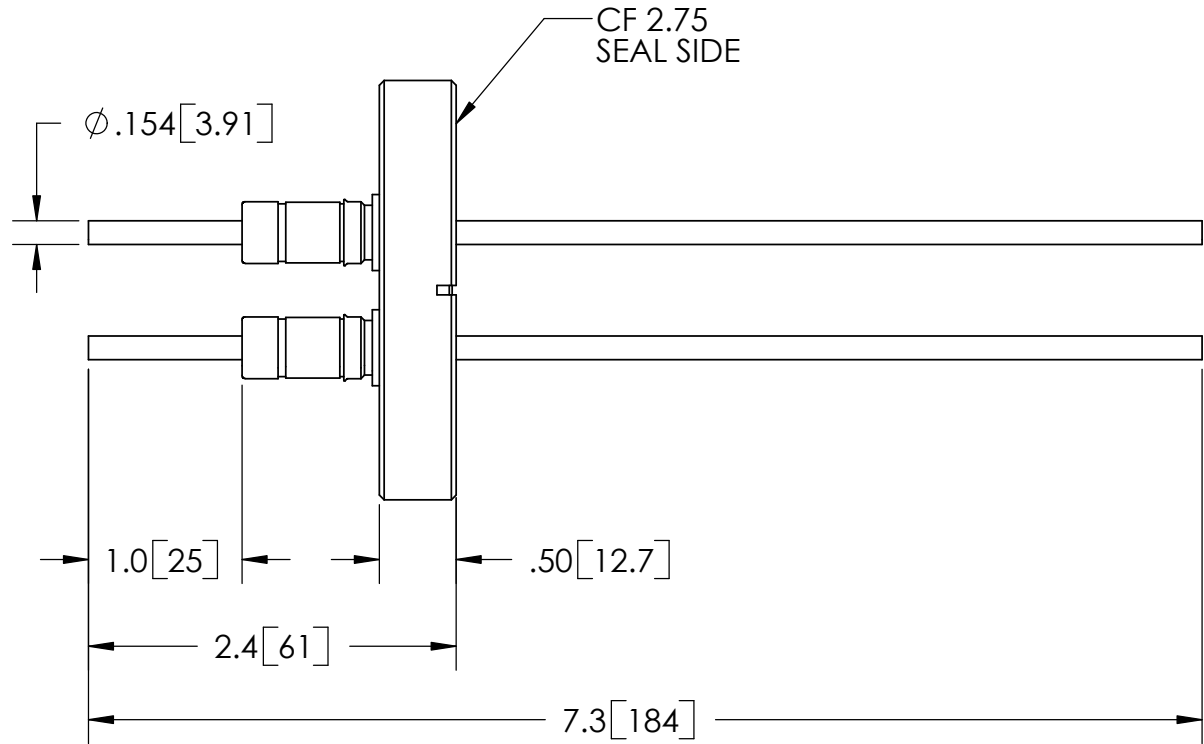


.75 [19.1]



CF 2.75  
SEAL SIDE

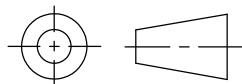
| PART NO.   | CONDUCTOR MATERIAL | CURRENT  |
|------------|--------------------|----------|
| FA12447    | COPPER             | 100 AMPS |
| FA12447-02 | MOLYBDENUM         | 50 AMPS  |
| FA12447-03 | NICKEL             | 30 AMPS  |
| FA12447-04 | 304 STN STL        | 6.5 AMPS |

| RATINGS      |                   |
|--------------|-------------------|
| VOLTAGE:     | 5KV DC            |
| CURRENT:     | SEE TABLE AT LEFT |
| TEMPERATURE: | -269°C TO 450°C   |

PROPRIETARY AND CONFIDENTIAL

THE INFORMATION CONTAINED IN THIS DRAWING IS THE SOLE PROPERTY OF SOLID SEALING TECHNOLOGY. ANY REPRODUCTION IN PART OR AS A WHOLE WITHOUT THE WRITTEN PERMISSION OF SOLID SEALING TECHNOLOGY IS PROHIBITED.

THIRD ANGLE PROJECTION



TITLE:

TWO 5KV FEEDTHROUGHS



**SOLID SEALING TECHNOLOGY, INC.**

| REV. | APP'D | DATE       | SCALE 4:5    | DIMENSIONS IN INCHES [mm] | DRAWN     | JM | 1/12/2006  |
|------|-------|------------|--------------|---------------------------|-----------|----|------------|
| A1   | MH    | 04/28/2006 | FTST0029-0ST |                           | ENG APPR. | MH | 04/28/2006 |

PART NO. (SEE TABLE) REV. A

SALES DWG NO. FA12447SL REV. A1